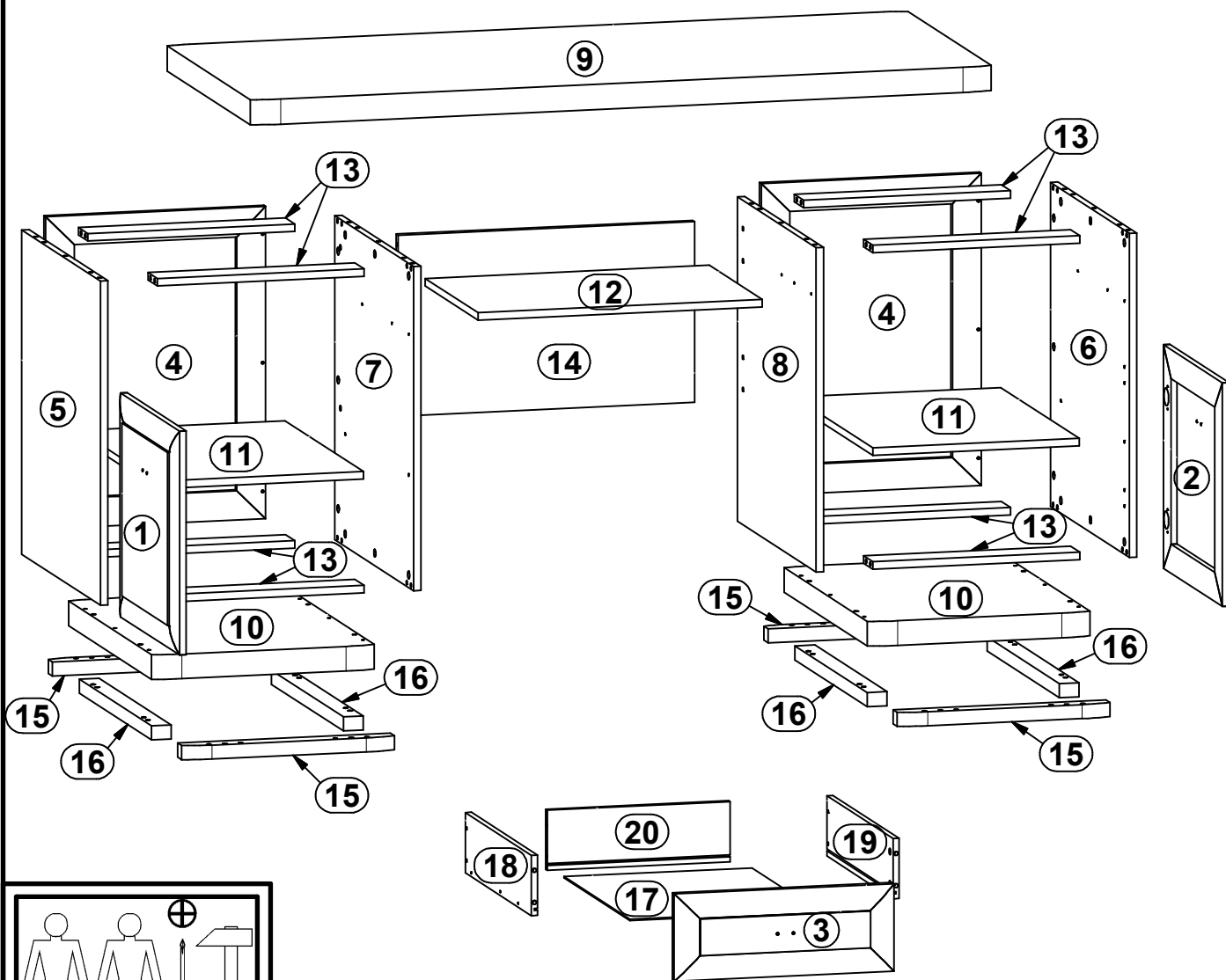
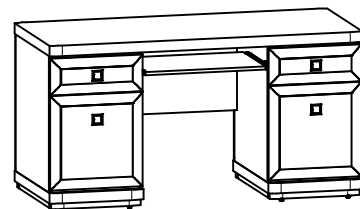


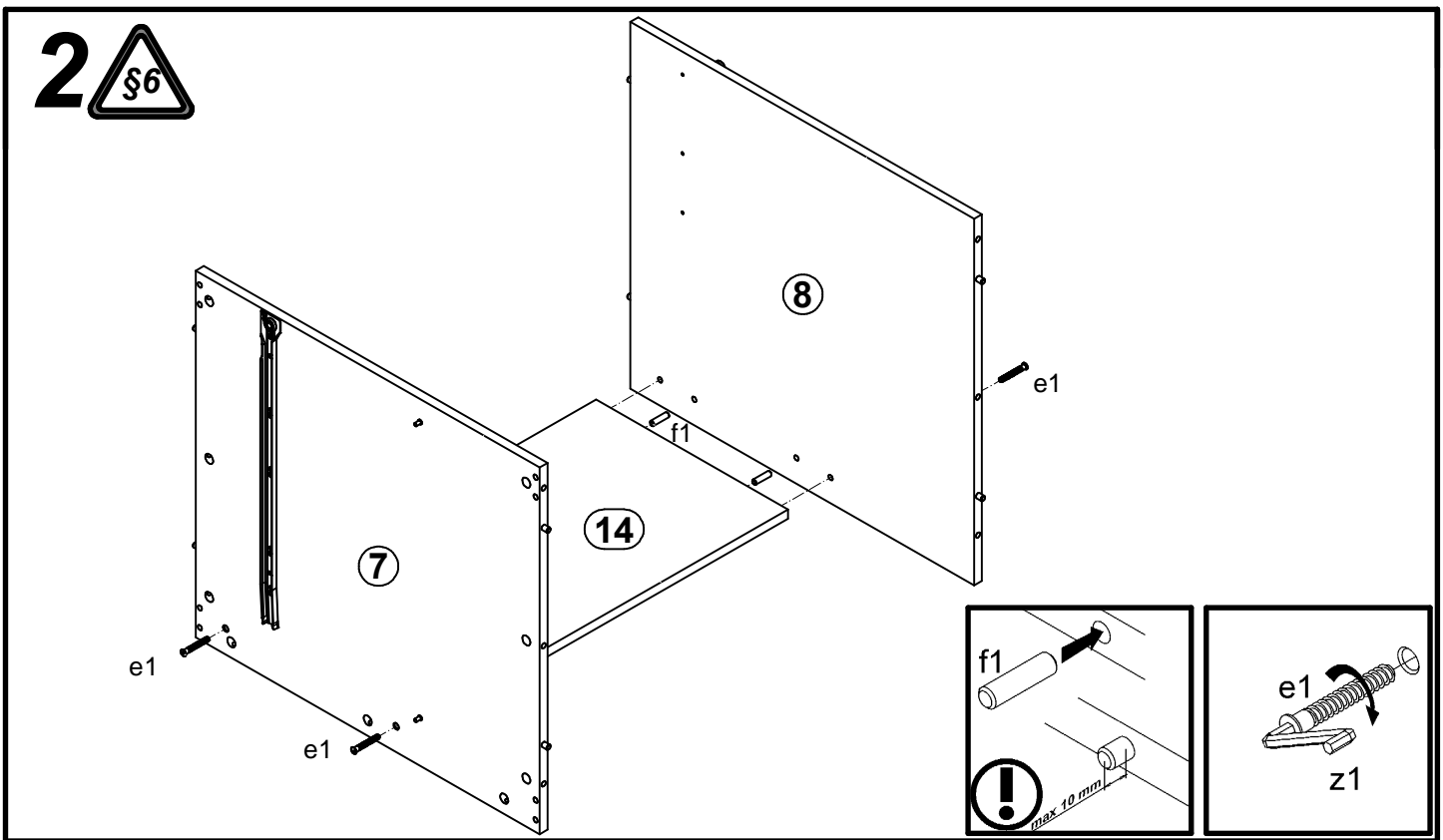
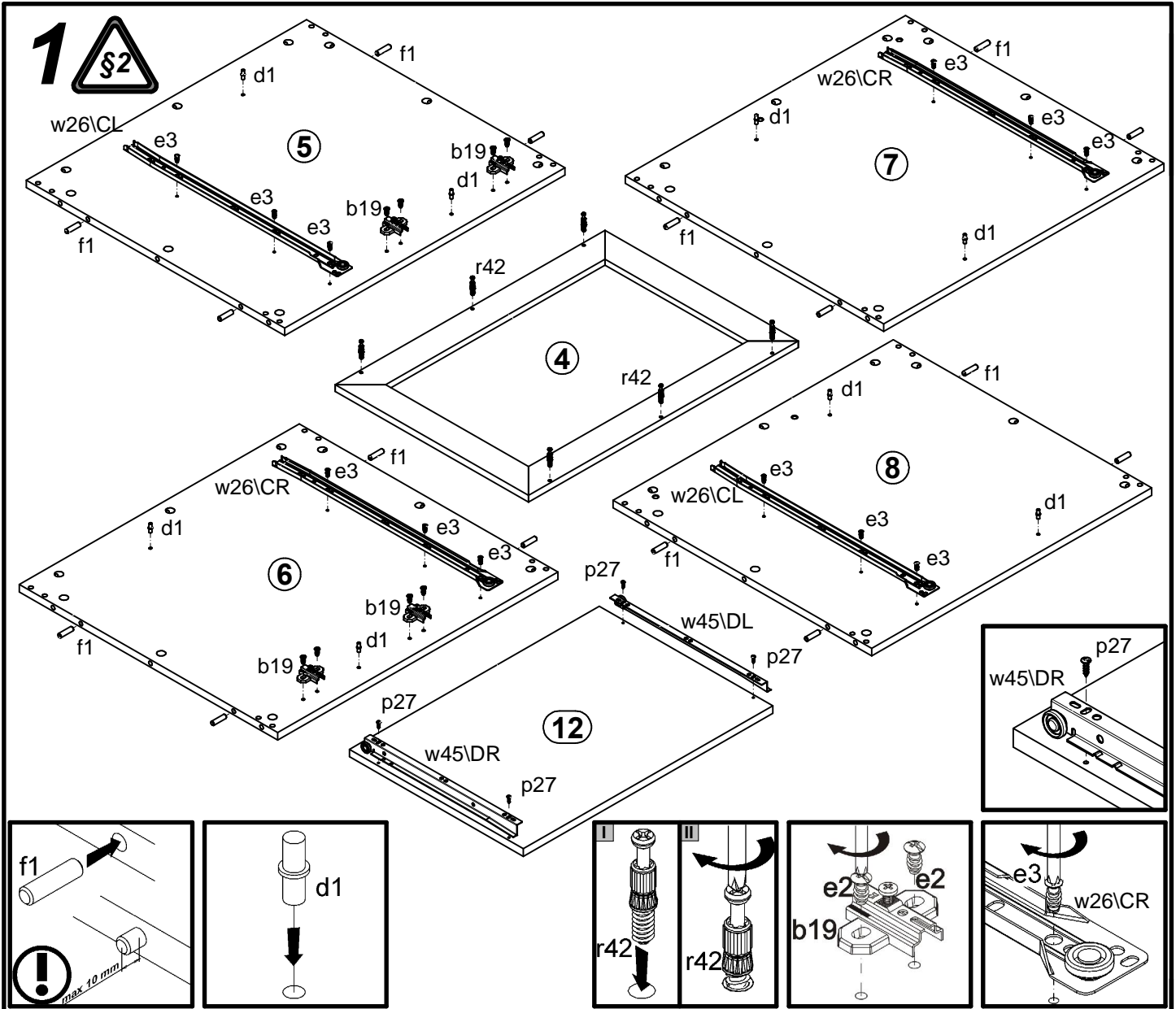
# OREGON

## S157-BIU2D2S

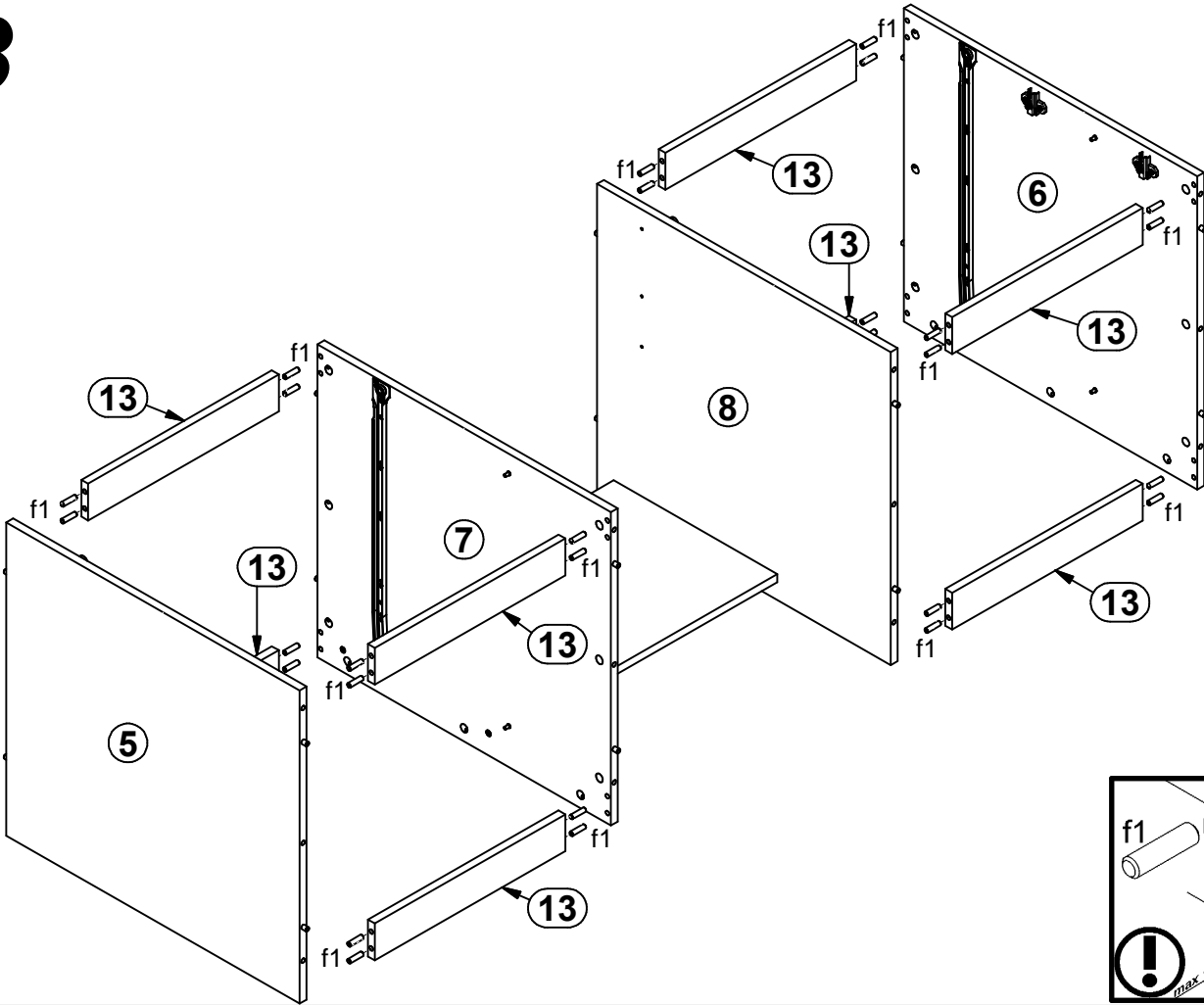
A	B	C	D	A	B	C	D		
1	S157-007	445	445	4/4	11	S157-306	418	594	1/4
2	S157-008	445	445	4/4	12	S157-307	575	400	1/4
3	S157-011	445	174	4/4	13	S157-406	419	70	3/4
4	S157-012	621	445	4/4	14	S157-407	600	360	1/4
5	S157-117	645	595	1/4	15	S157-507	431	40	3/4
6	S157-118	645	595	1/4	16	S157-512	545	40	3/4
7	S157-119	645	595	1/4	17	S157-912	381	498	2/4
8	S157-120	645	595	1/4	18	ZS2-509	500	120	1/4
9	S157-210	1500	645	2/4	19	ZS2-510	500	120	1/4
10	S157-211	451	645	2/4	20	ZS2-5523	370	120	1/4



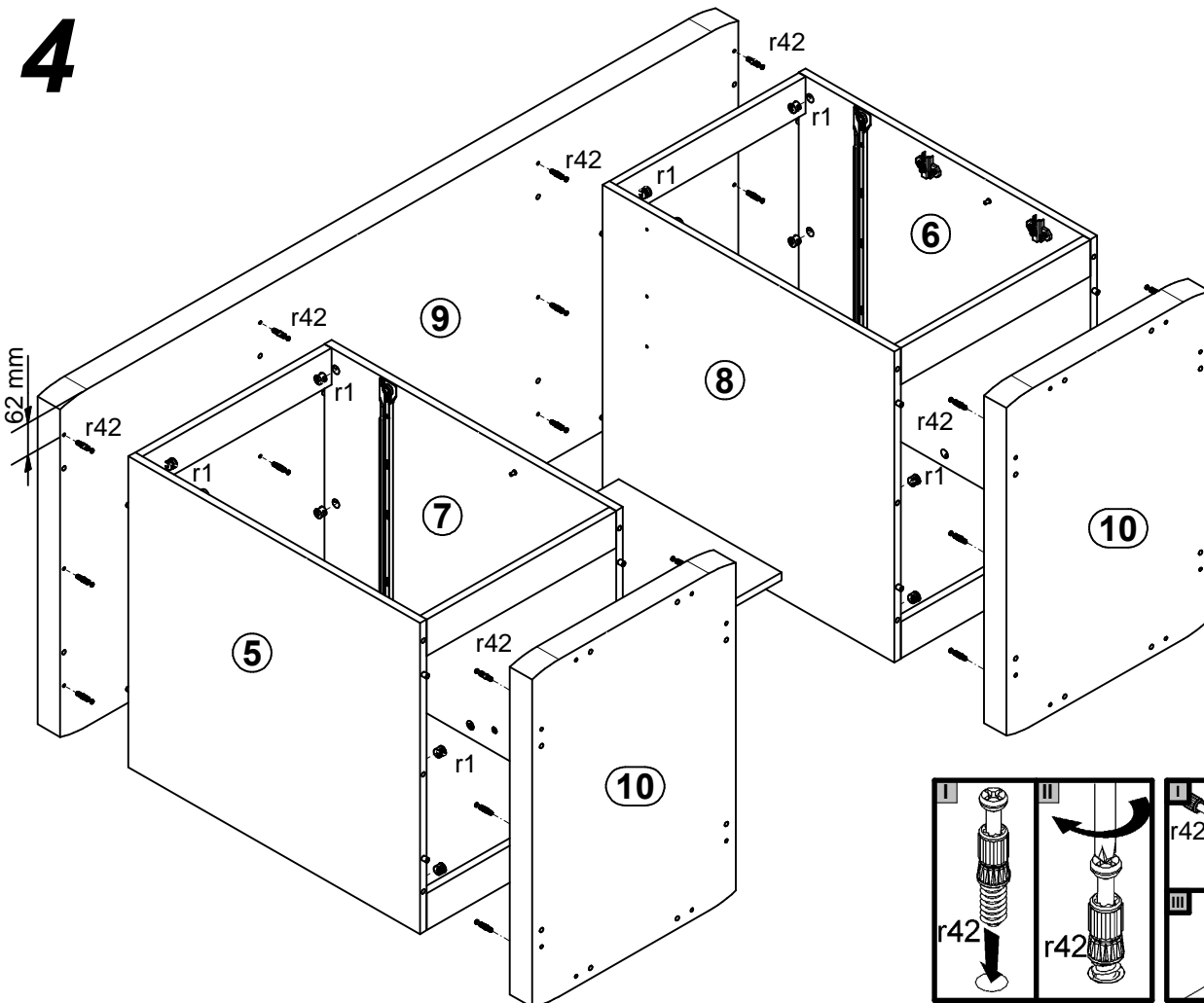
4x  a44	4x  b19	4x  c333	8x  d1 Ø5x17 mm	20x  e1 Ø7x50 mm	12x  e19 Ø5x9 mm	8x  e2 Ø6.3x13 mm	18x  e3 Ø6x13 mm	68x  f1 Ø8x30 mm
8x  f25 Ø6.5x40 mm	8x  j59 M4x18 mm	8x  k39 2 M6/Ø14x14 mm	8x  k39 3 M6/22 mm	4x  p27 Ø3.5x13 mm	8x  p51 Ø3.5x15 mm	36x  r1 Ø15x12 mm #16	8x  r15 Ø12x10.5 mm #12	44x  r42
2x  w26 CL 500 mm	2x  w26 CR 500 mm	2x  w26 DL 500 mm	2x  w26 DR 500 mm	1x  w45 CL 350 mm	1x  w45 CR 350 mm	1x  w45 DL 350 mm	1x  w45 DR 350 mm	2x  s1
24x  s2 Ø16	1x  z1							



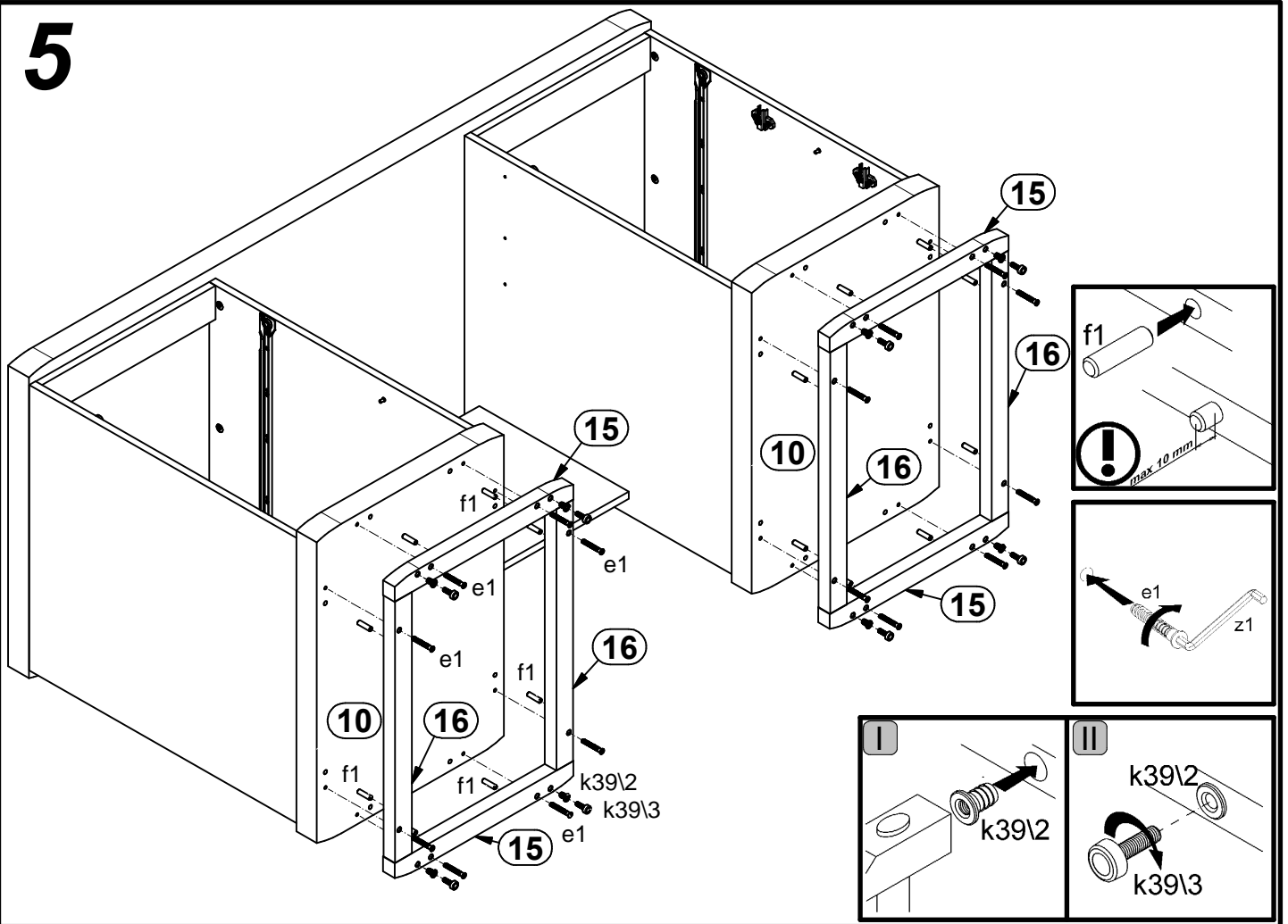
# 3



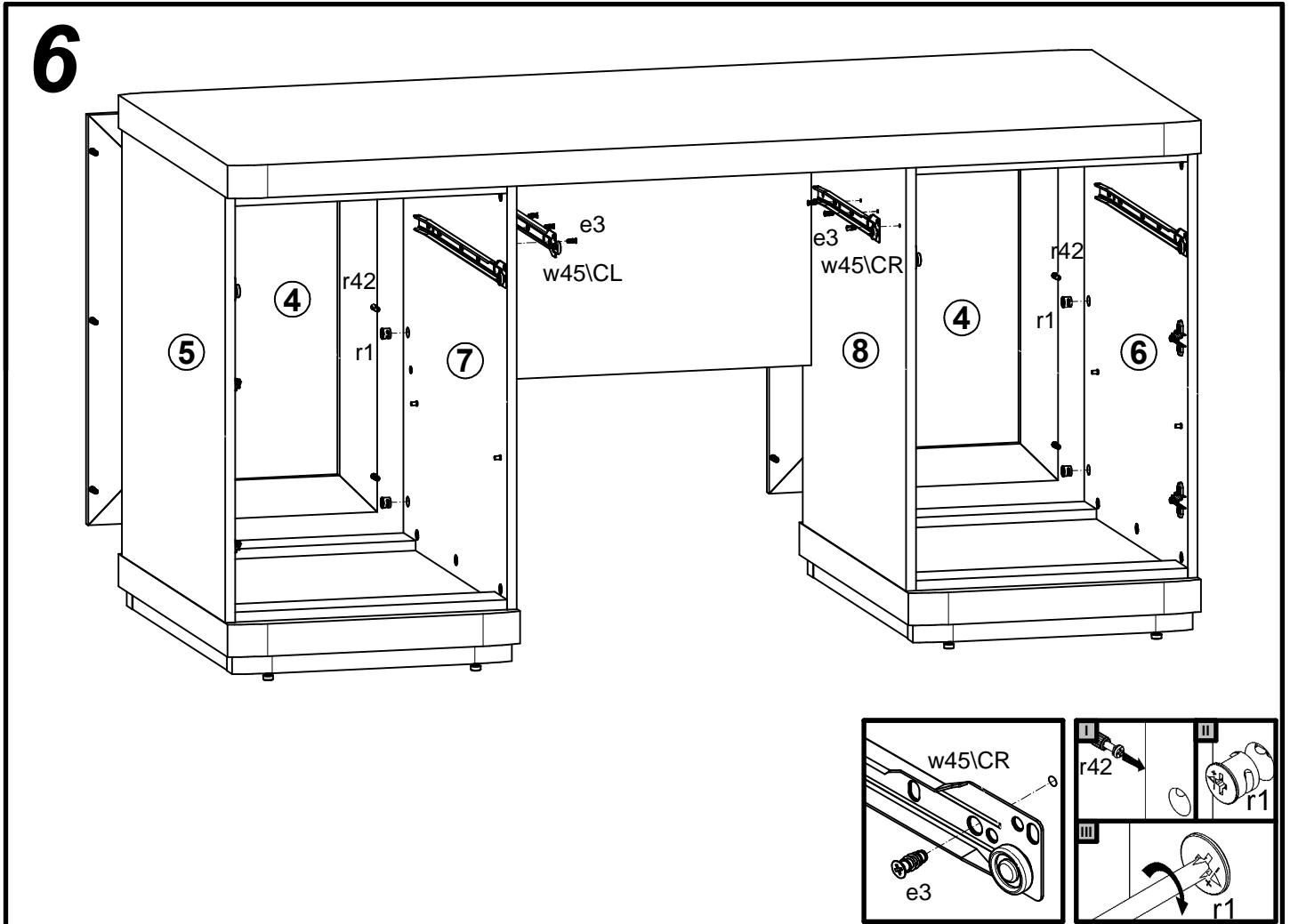
# 4



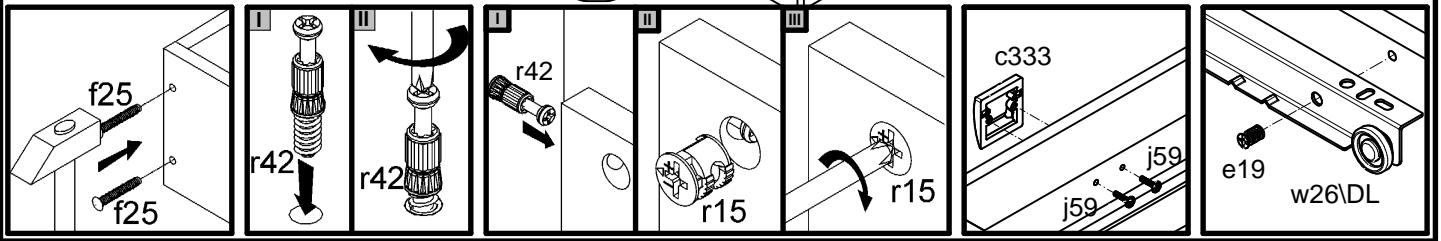
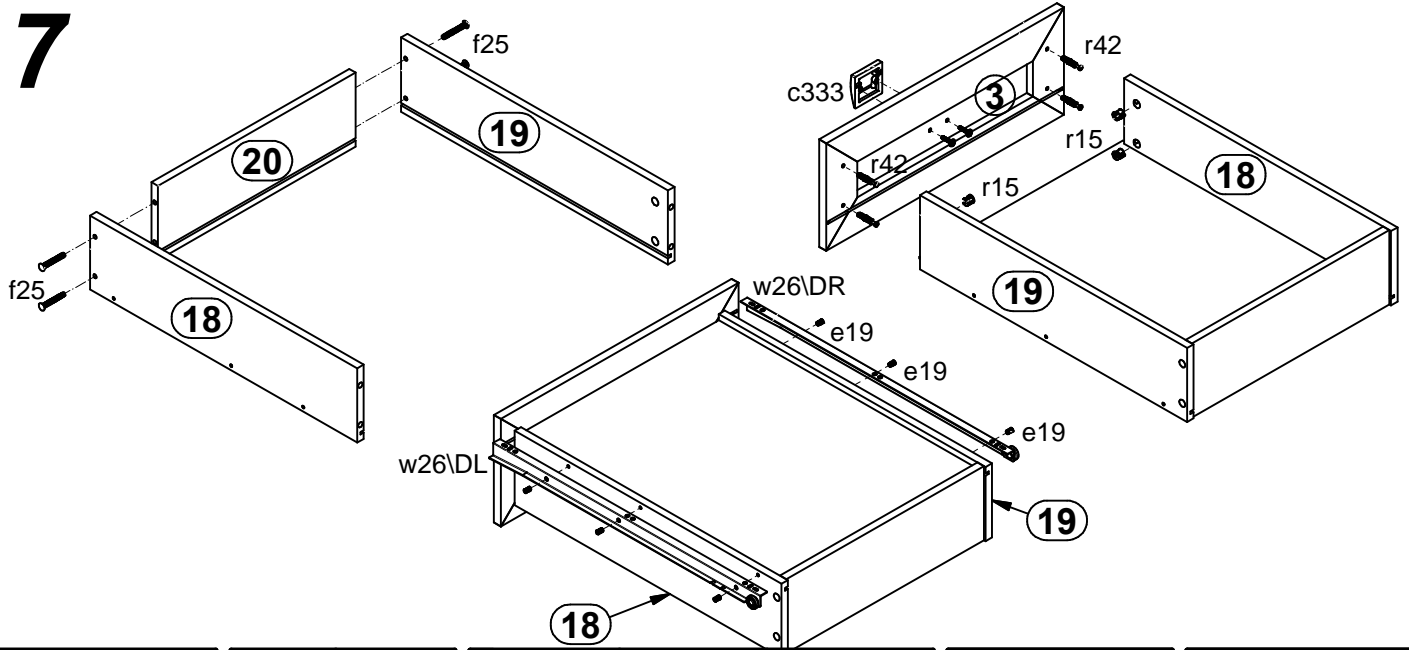
# 5



# 6



# 7



# 8

