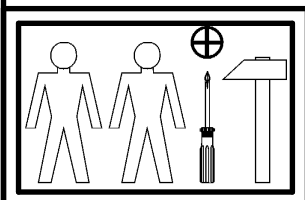
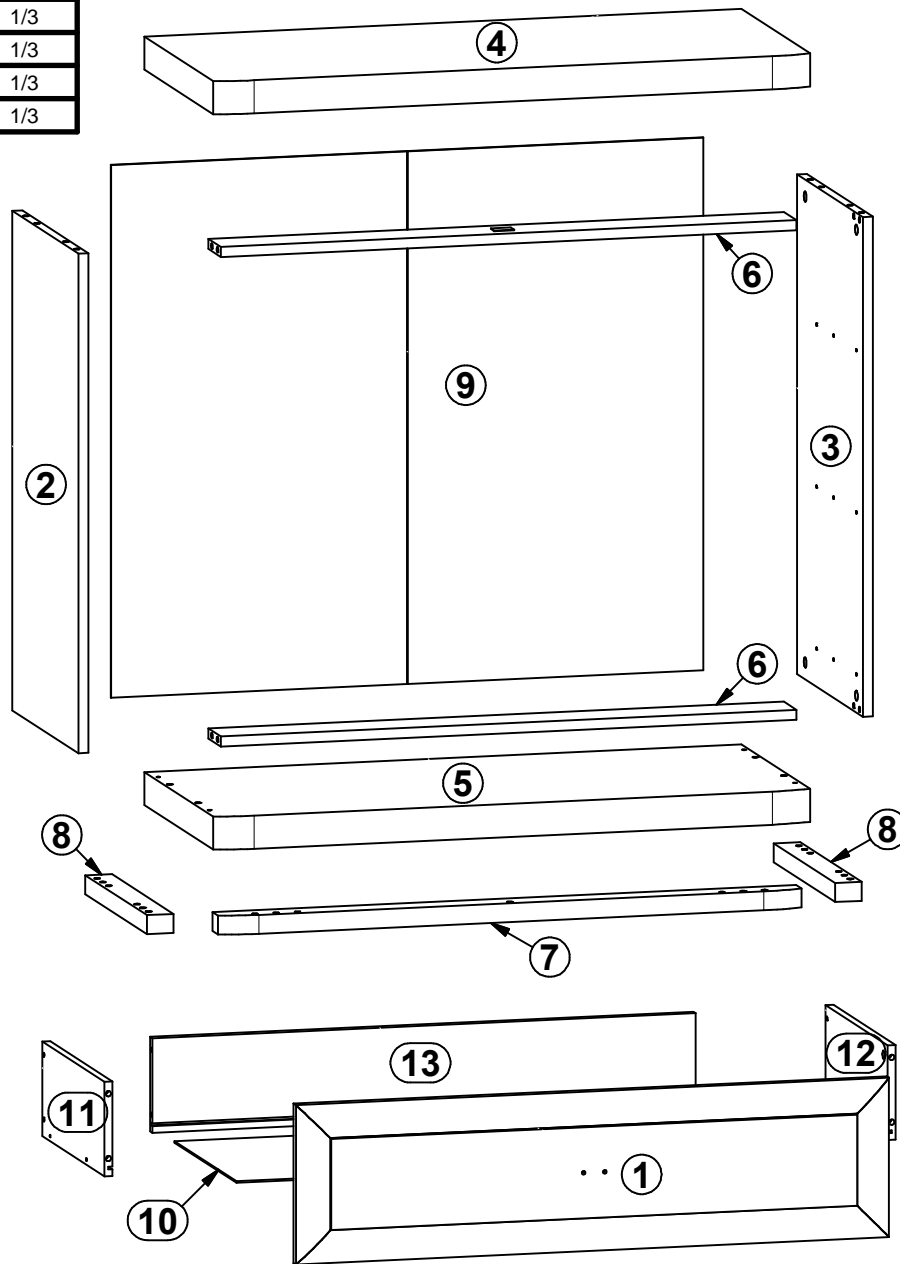
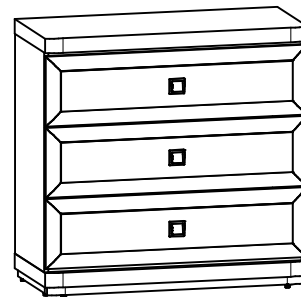
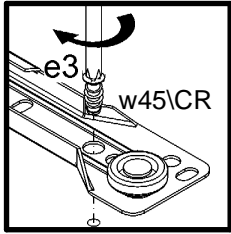
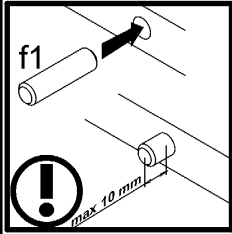
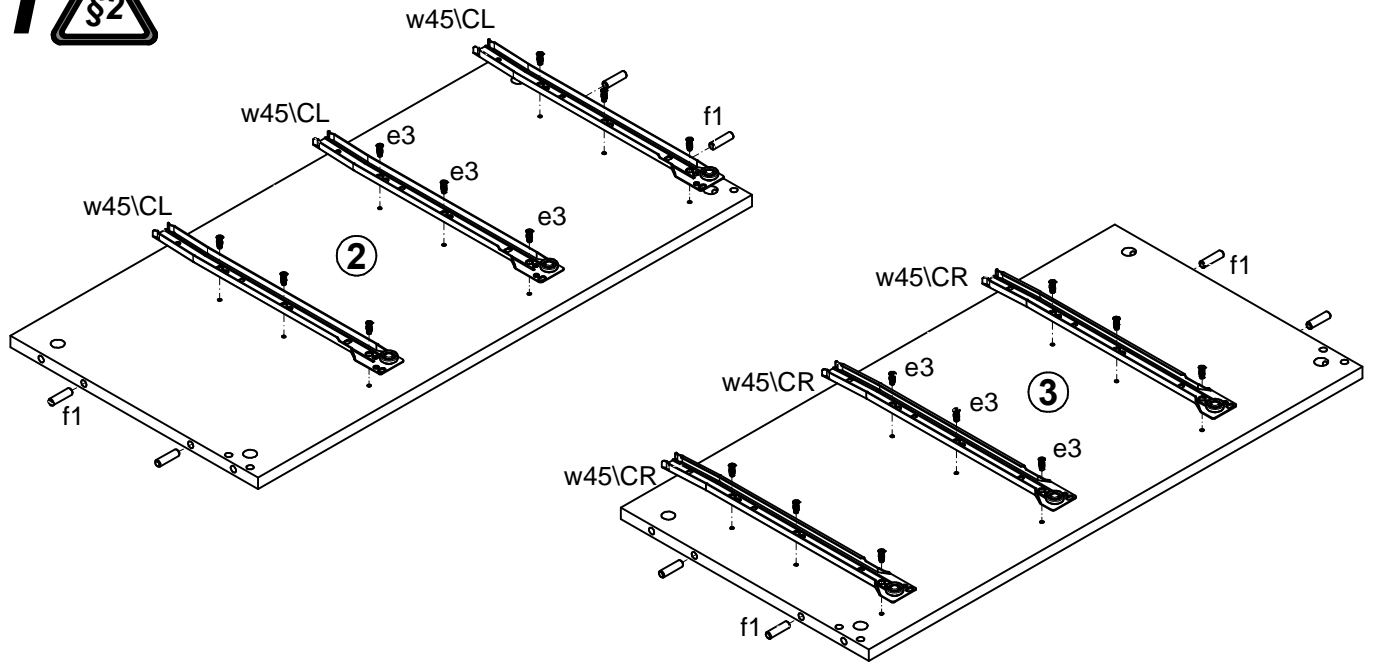


A	B	C	D
1	S157-002	894	236
2	S157-101	740	371
3	S157-102	740	371
4	S157-201	900	396
5	S157-202	900	396
6	S157-401	868	70
7	S157-501	880	40
8	S157-502	346	40
9	S157-901	789	893
10	S157-902	830	348
11	ZS2-531	350	140
12	ZS2-532	350	140
13	ZS2-5585	819	140

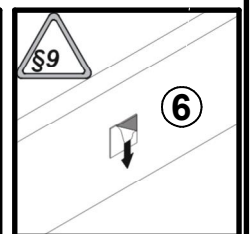
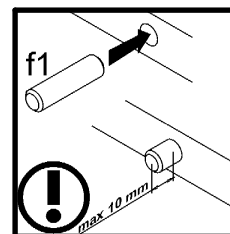
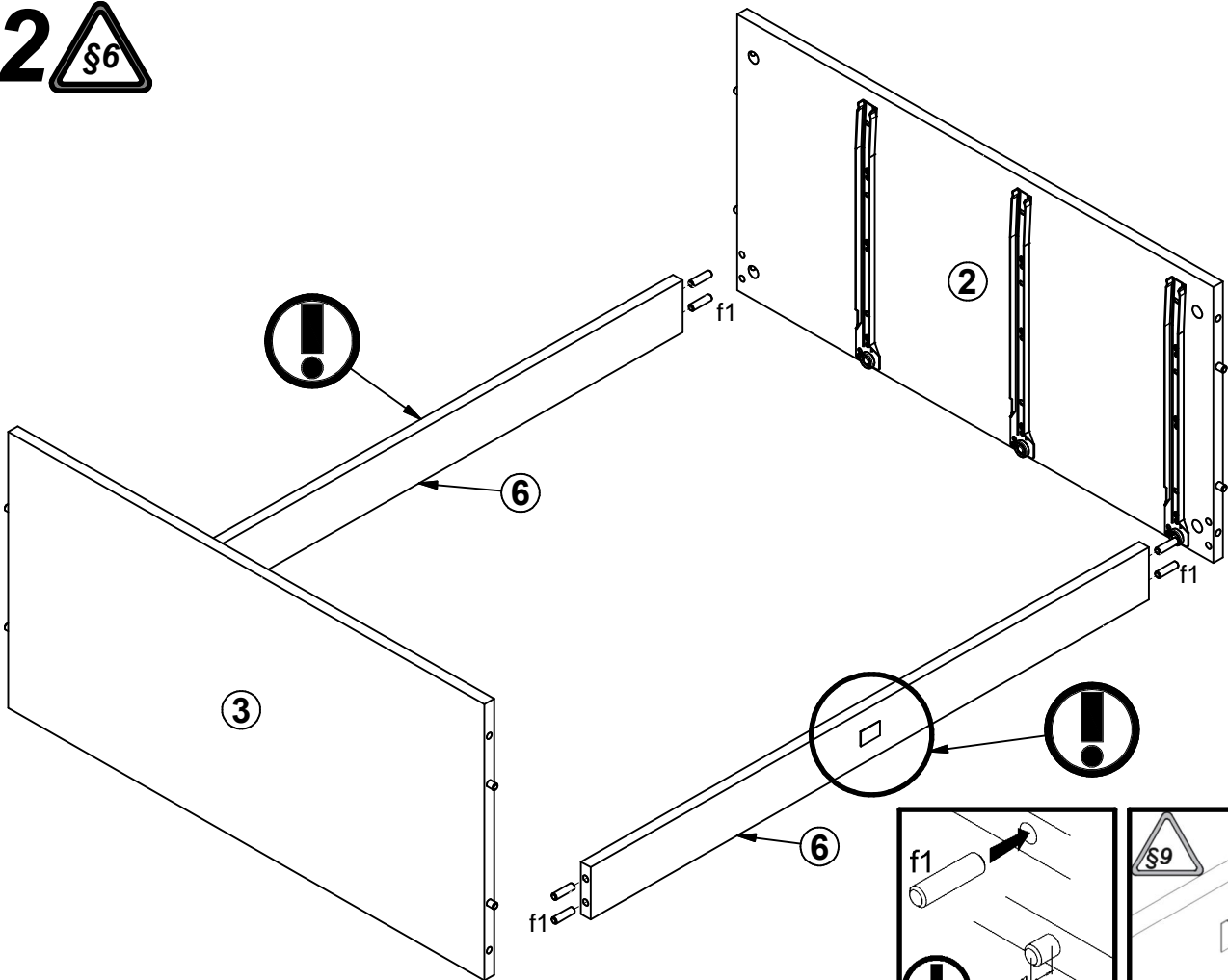


3x c333	7x e1 Ø7x50 mm	12x e19 Ø5x9 mm	18x e3 Ø6x13 mm	22x f1 Ø8x30 mm	12x f25 Ø6.5x40 mm	6x j59 M4x18 mm	4x k39 2 M6/Ø14x14 mm	4x k39 3 M6/22 mm
40x l1	6x p25 Ø3.5x16 mm	8x r1 Ø15x12 mm #16	12x r15 Ø12x10.5 mm #12	20x r42	3x t19 333 mm	3x w45 CL 350 mm	3x w45 CR 350 mm	3x w45 DL 350 mm
3x w45 DR 350 mm	2x s2 Ø16	1x z1	1x n26 1	1x p38 Ø3.5x16 mm				

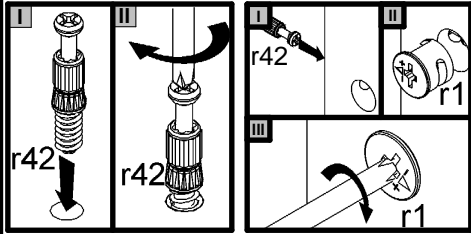
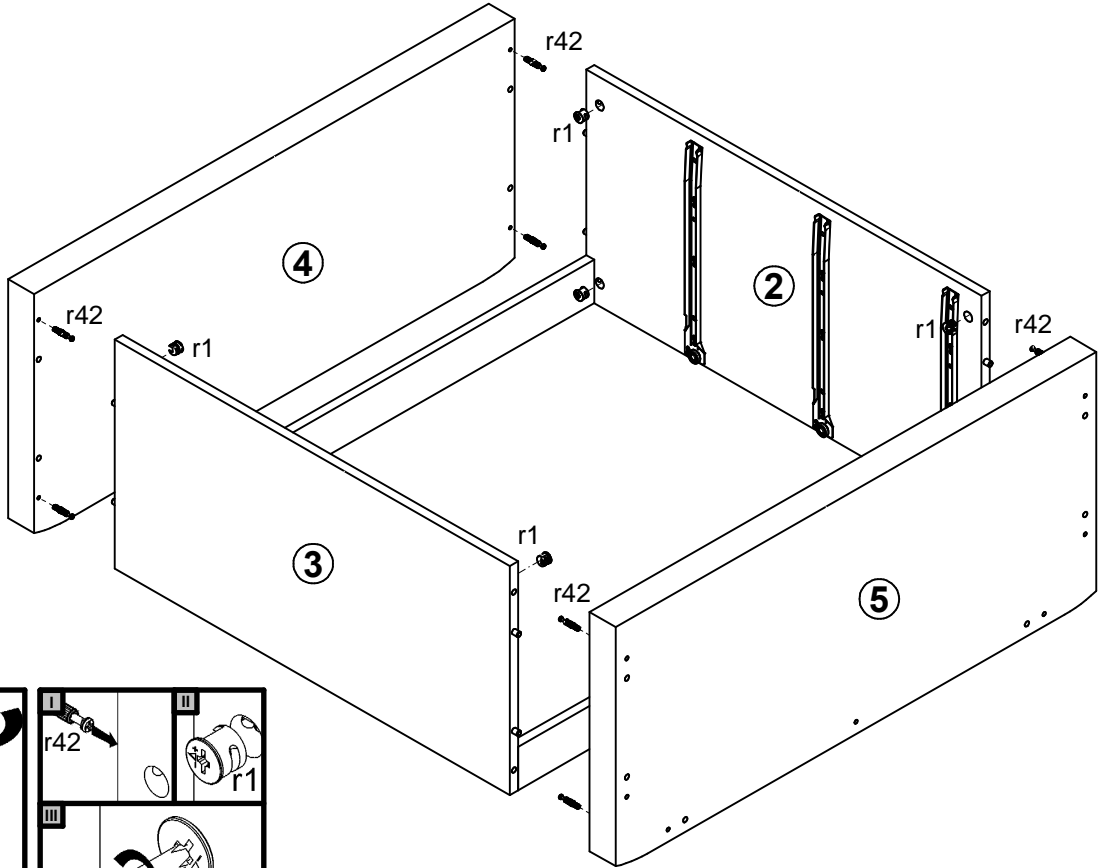
# 1



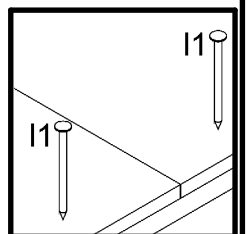
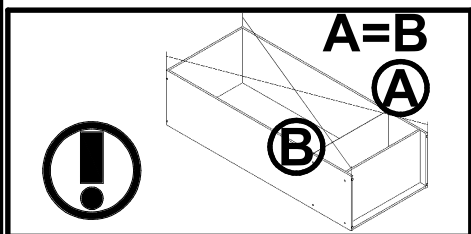
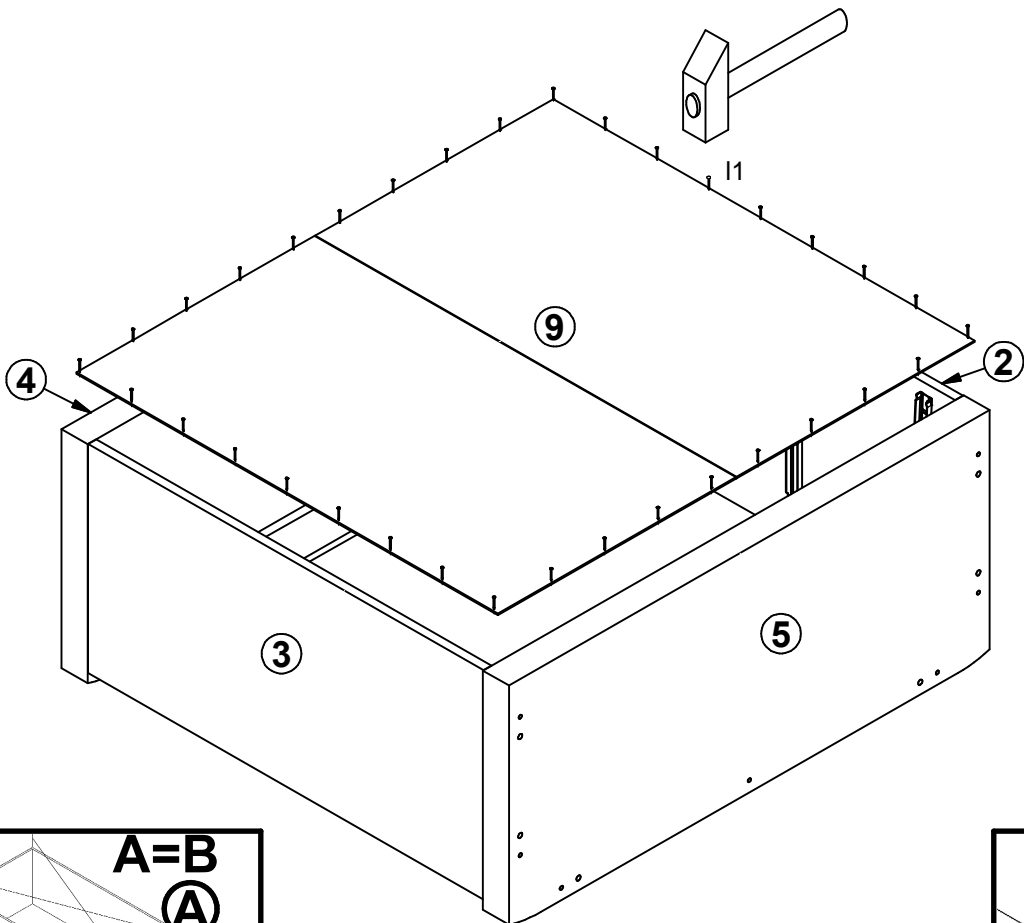
# 2



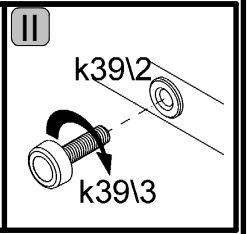
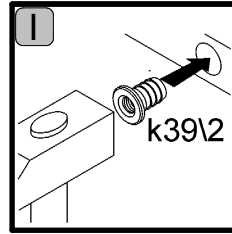
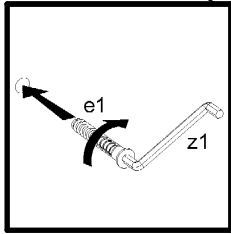
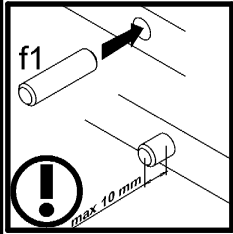
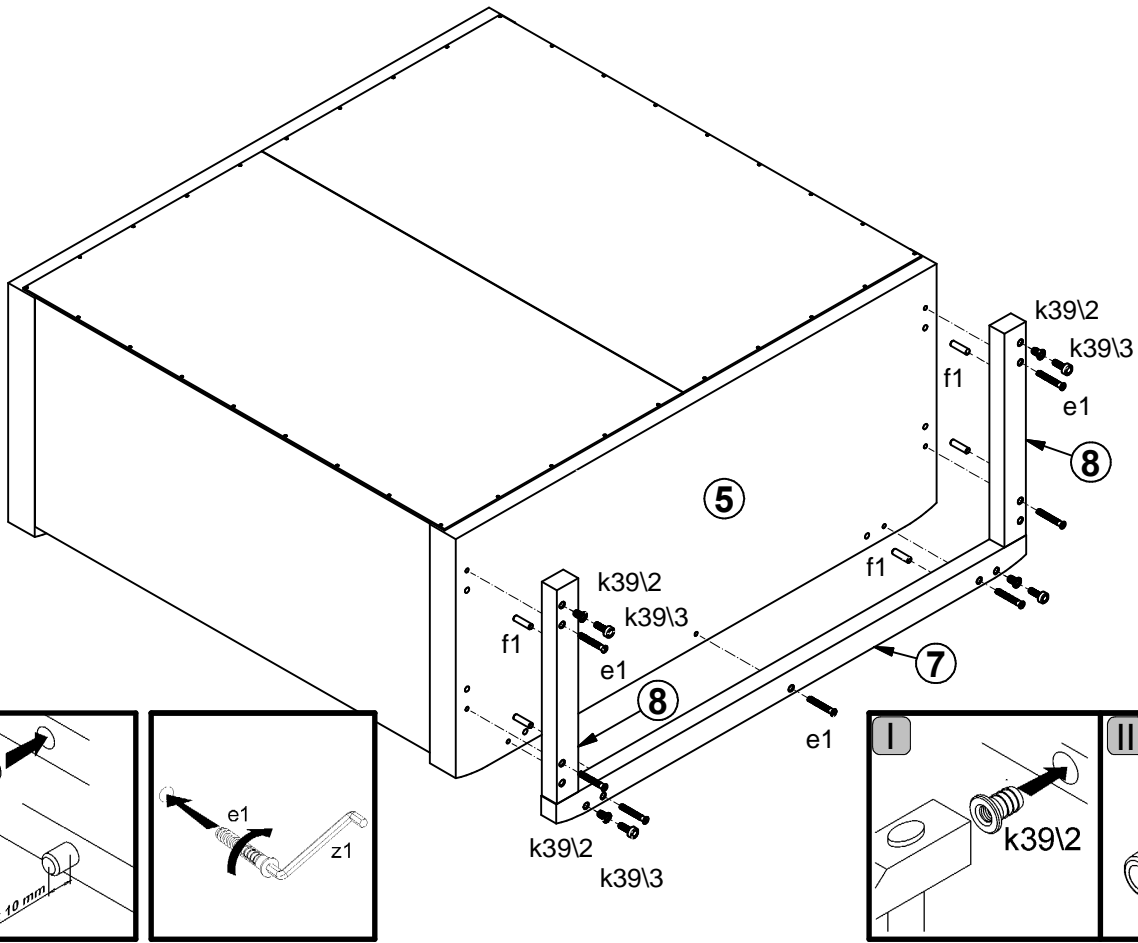
# 3



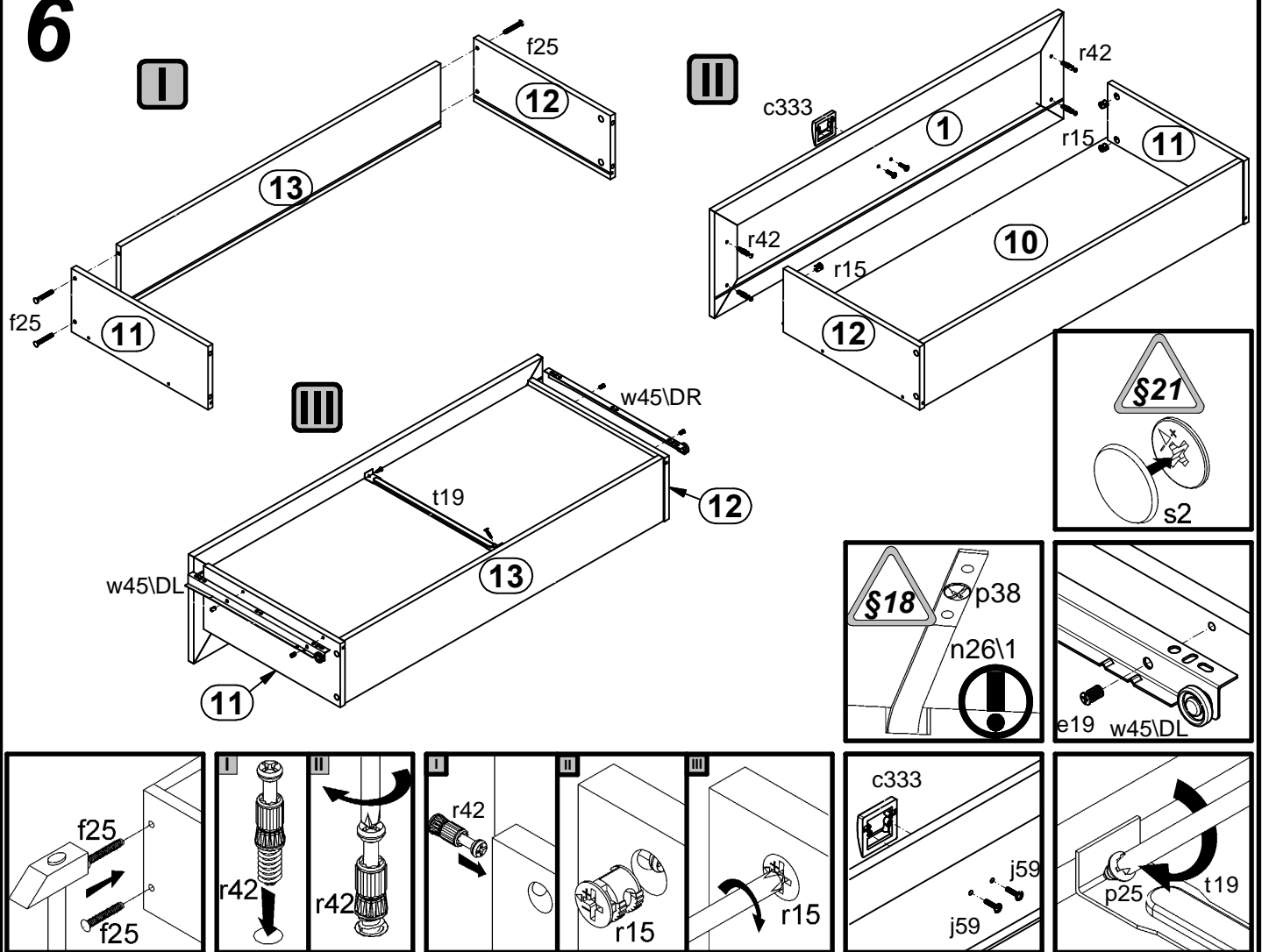
# 4



# 5



# 6



I

II

III

